

VE EXTERNAL PNEUMATIC VIBRATOR AND VICE CLAMP

Technical Data	
Parts manual	136.1219
Product manual	PM 12
Design File	DF

Customs Tariff Codes		
	Product	Spares

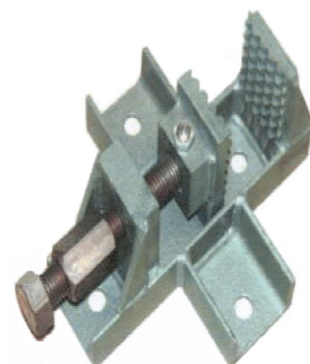
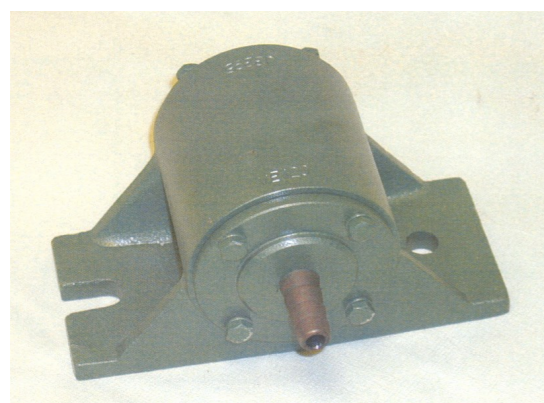
Nationwide Engineering & Tools Ltd
Unit 6, Etone Business Park,
Whitacre Road,
Nuneaton,
Warwickshire,
United Kingdom.
CV11 6BP
Tel: 0044(0)24 7634 1878
Fax: 0044(0)24 7637 4349
Email: sales@ne-at.co.uk

Dealer

Nationwide Engineering & Tools Ltd
Unit 6, Etone Business Park,
Whitacre Road,
Nuneaton,
Warwickshire,
United Kingdom.
CV11 6BP
Tel: 0044(0)24 7634 1878
Fax: 0044(0)24 7637 4349
Email: sales@ne-at.co.uk

Dealer





WARRANTY

We warrant that the product is free from defects in materials and workmanship. If such a fault is found within six months from date of purchase from an approved dealer, the company will replace free of charge all failed components. Any failed unit must be returned carriage paid to the factory for inspection. The warranty does not cover failure attributable to wear and tear, accidental damage, site or operator misuse or lack of maintenance. We will not accept units under warranty that third parties have attempted to repair or disassembled

**Vice Clamp
Safety notice and Parts List**

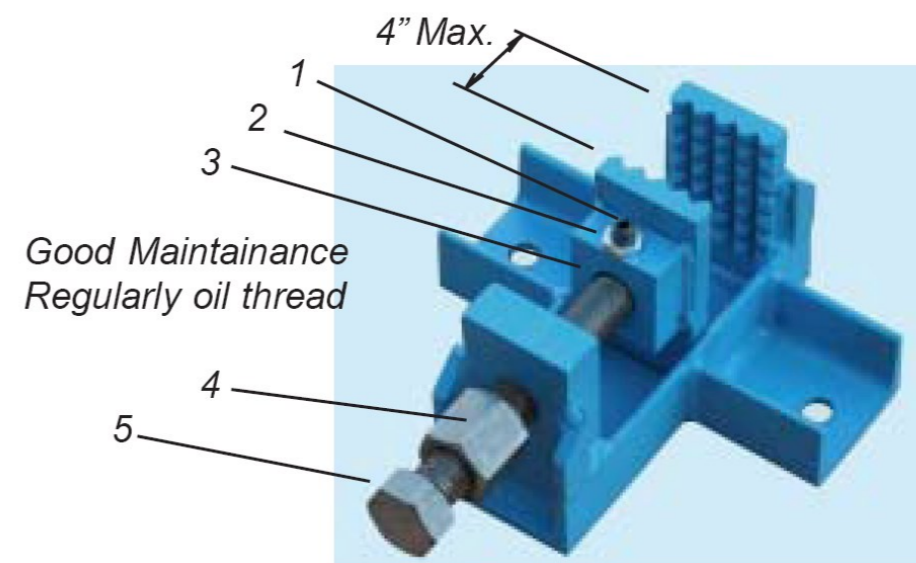
Alternative method of attaching vibrators on wooden shuttering using the GCM Vice Clamp.

IMPORTANT NOTICE when using viceclamps

MUST NOT BE USED ON STEEL DIRECT.

Viceclamps are for use on wooden shuttering only. Attach vibrator using only M16 bolts, flat washers and spring washers or / and 'Nyloc' nuts.

CHECK TIGHTNESS OF BOLTS BEFORE USE AND REGULARLY DURING USE.



- Spare Parts :**
- 1. 38617 Dog point grubscrew
 - 2. 38625 Locking nut
 - 3. 38616 Moving jaw block
 - 4. 38250 Locking nut
 - 5. 38618 Clamping screw

Application

These units were primarily developed for use as shutter vibrators, tampers, and surface finishers for concrete. They are also effective as an aid to Industry for vibrating hoppers, compaction tables, chutes, knock-out grids and many other applications where high frequency is desirable.

Description

This extremely simple design high frequency vibrator attains maximum working forces with just two moving parts and five basic components. Because it has no bearings usual maintenance and wear problems have been eliminated without sacrifice of high operating speeds. Fixing is simply by two bolts. When used on wooden shuttering or shuttering with wooded soldiers, the vice clamp can be used.

Accessories

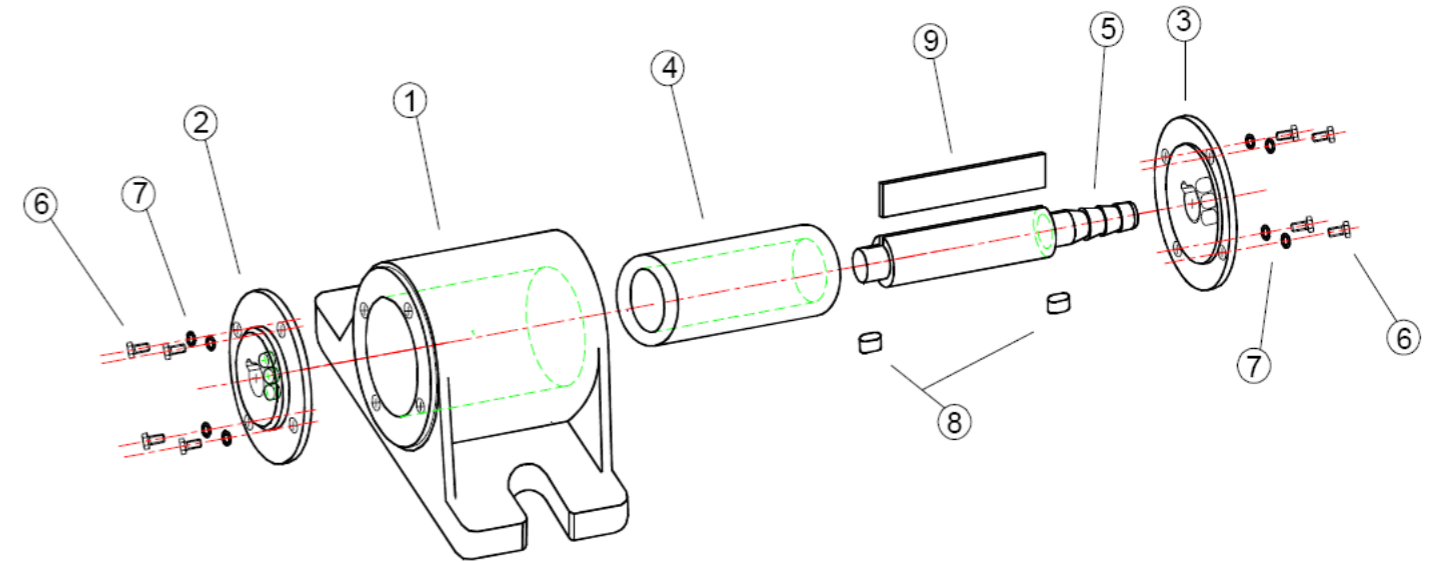
Air supply hose assembly, comprising of 1m hose, on/off cock, quick release coupling with gauze and hose clips.

Vice clamp (see page 8)

Technical Characteristics

	VE 75	VE 120
Part Number	196.1050.75	196.1050.120
Centrifugal Force (Newtons)	7500	12000
Amplitude (mm)	1.2	1.5
Frequency (V.P.M)	13000	15000
Air Consumption (Litres/min)	1170	1170
Weight (Kgs)	9.6	10.2

Models VE 75 & 120 Parts List



Spare parts

Ref.	Qty	Part Number	Description
1	1	VE.0646	Body
2	1	VE.0642	Front Plate
3	1	VE.0644	Rear Plate
4	1	VE.0533	Rotor 75
4	1	VE.0647	Rotor 120
5	1	VE.0643	Shaft
6	8	VE.0170	M8x25 Hex Bolts or Skt/Hd capscrews
7	8	VE.0169	M8 Spring washers
8	2	VE.0530	Shaft Key
9	1	VE.0532	Vane